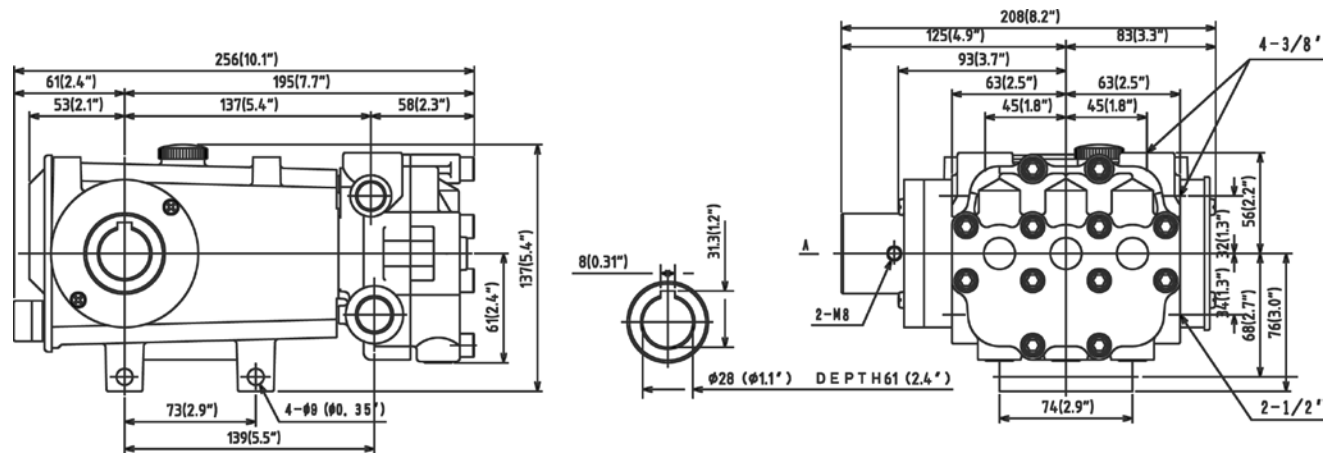
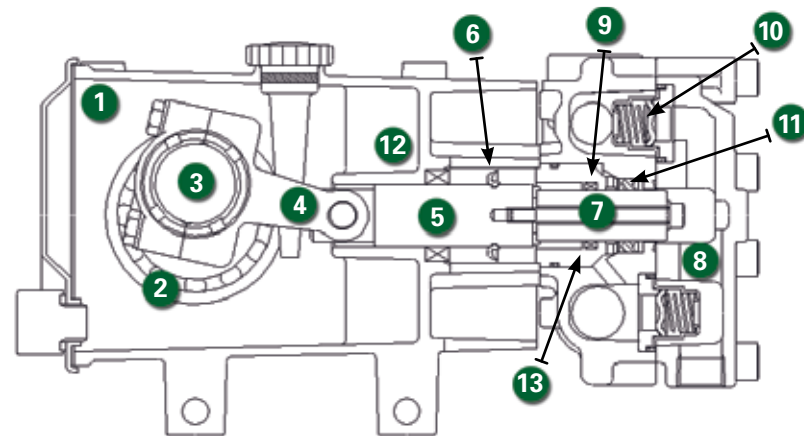


DIMENSIONS (mm/in.)



CUTAWAY

- 1 High strength, lightweight die cast crankcase
- 2 Oversized crankshaft bearings for long life and quiet operation
- 3 Forged crankshaft is machined for low friction, quiet operation and high efficiency
- 4 High strength connecting rods are tolerance matched for extended life and low friction operation
- 5 High polish stainless steel plunger rods for smooth operation and even wear
- 6 Zero clearance, polymer exclusionary seal protects pump crankcase from fluid entry and will not corrode
- 7 Proprietary blend, solid ceramic plungers for long wear and increased thermal shock resistance
- 8 Forged brass manifolds for strength and corrosion resistance, machined to optimize fluid flow and performance while extending useful life
- 9 Liquid-cooled, low drag seals provide long life, extended run-dry ability and increased suction lift
- 10 100% stainless steel valve construction provides superior protection against chemical and temperature damage
- 11 Mechanically-loaded seals require no adjustment and self-compensate for wear
- 12 Balanced flow crankcase ensures lubrication and quiet operation
- 13 Slide-in seal cases mean no special tools are required, making seal replacement easy



Floating 5 Series Model 521

FEATURES

- Unique mounting technology increases life and decreases noise (pat. pending)
- Triplex pumps provide smooth liquid flow
- Liquid cooled, low drag seals provide long life, improved suction, higher efficiency and longer dry running without damage
- Balanced flow crankcase design and precision machining ensures uniform lubrication and quiet operation
- Manifold is designed and machined to guarantee superior fluid flow
- Zero-clearance exclusionary seals protect crankcase

QUALITY

- 100% stainless steel valve assemblies deliver greater temperature and chemical handling abilities
- Precision ground ceramic plungers utilize a proprietary material blend for long life and increased thermal shock resistance
- Forged brass manifolds offer strength and corrosion resistance
- Proprietary, proven seal blend maximizes life and increases maintenance intervals
- Oversized crankshaft bearings for long life and quiet operation

MAINTENANCE

- No special tools required for repair or maintenance
- Fluid end is easily serviced without entering crankcase
- Easy access seal case and valve assemblies
- Seals require no adjustment

SPECIFICATIONS

| Model 521 | US | METRIC |
|------------------|-------------------|------------|
| Flow | 4 gpm | 15 lpm |
| Pressure | 2500 psi | 170 bar |
| RPM | 1800 | 1800 |
| Inlet Pressure | flooded to 70 psi | 1 to 5 bar |
| Inlet | 1/2" NPT | 1/2" NPT |
| Outlet | 3/8" NPT | 3/8" NPT |
| Oil requirement | 21 oz. | .61 L |
| Shaft Dia. | 1.102" | 28 mm |
| Max Liquid Temp. | 170°F | 85°C |
| Shaft Location | L or R | L or R |
| Weight | 21 lbs. | 9.5 kg |

| | | | |
|-------------------------------|--------------------------------------|---|---|
| Determining Pump RPM | Rated GPM ----- Rated RPM | = | "Desired" GPM ----- "Desired" RPM |
| Determining Required HP | GPM x PSI ----- 1460 | = | Electric Brake H.P. Required |
| Determining Motor Pulley Size | Motor Pulley OD ----- Pump RPM | = | Pump Pulley OD ----- Motor RPM |

Parts List

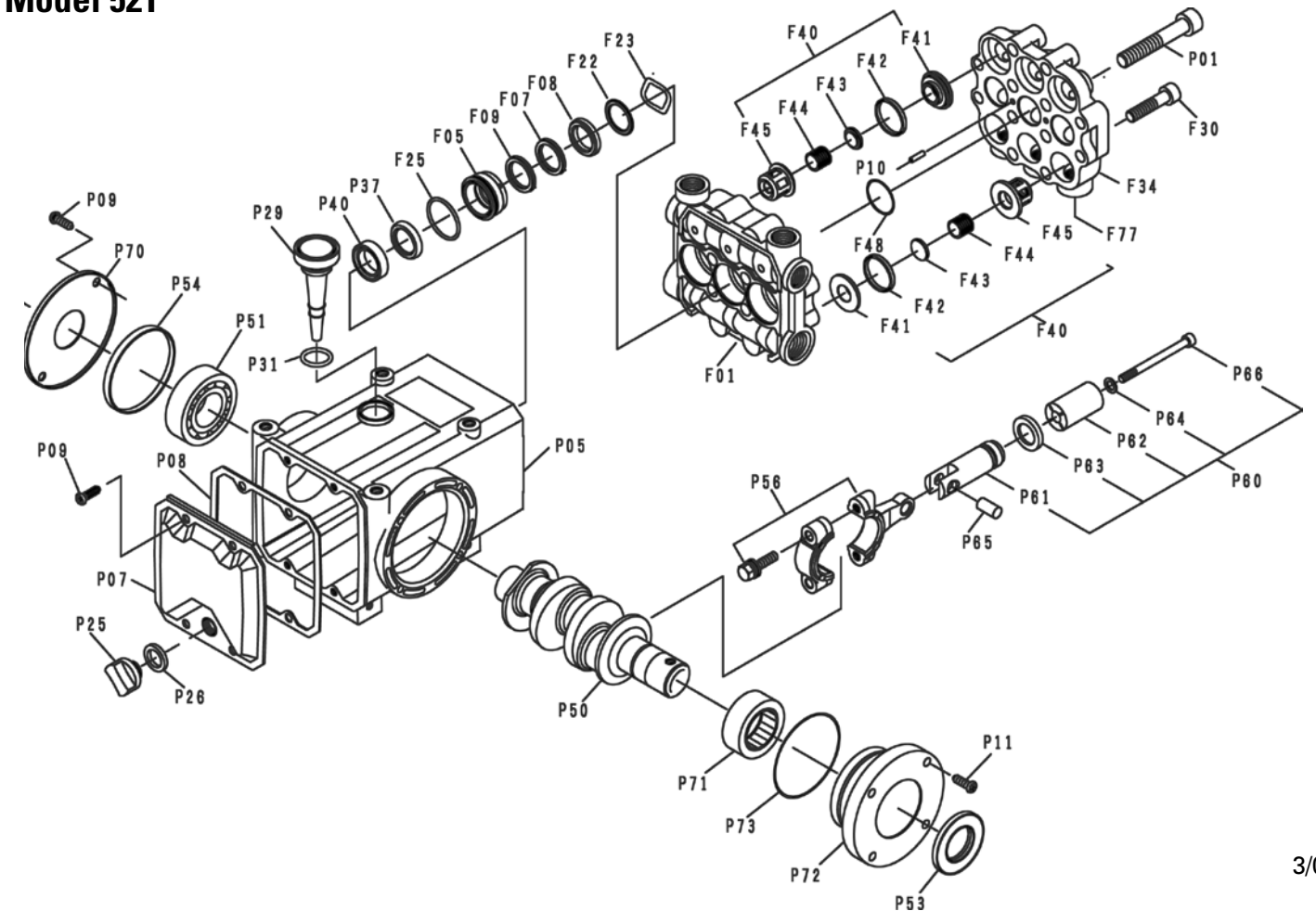
| REF. # | PART NUMBER | PART NAME | MATERIAL | QTY |
|--------|--------------|-----------------------|--------------|-----|
| F01 | 0259001010 | MANIFOLD, PORTED | BRASS | 1 |
| F05 | A3052 | SEAL RETAINER | BRASS | 3 |
| F07 | A3246 | BACKING RING | FP | 3 |
| F08 | A3248 | V-PACKING | NBR/TEXTILE | 3 |
| F09 | A3245 | VACUUM SEAL | NBR | 3 |
| F22 | A3278 | SPREADER | BRASS | 3 |
| F23 | A3279 | WAVE WASHER | STAINLESS | 3 |
| F25 | 9203B15032 | O-RING, RETAINER | NBR | 3 |
| F30 | A3236 | BOLT, MANIFOLD | PLATED STEEL | 8 |
| F34 | 0259003200 | MANIFOLD, VALVES | BRASS | 1 |
| F40 | A3177 | VALVE ASSEMBLY | STAINLESS | 6 |
| F42 | A3146 | GASKET | NBR | 3 |
| F48 | A3137 | O-RING, MANIFOLD | NBR | 3 |
| F77 | 0180503450 | PLUG, MANIFOLD | BRASS | 3 |
| P01 | A3227 | BOLT, HEAD | PLATED STEEL | 4 |
| P05 | A3352 | CRANKCASE | ALUMINUM | 1 |
| P07 | A3353 | COVER | PLATED STEEL | 1 |
| P08 | A3048 | GASKET | BONDED PAPER | 1 |
| P09 | 9138A05051 | SCREW | PLATED STEEL | 6 |
| P10 | 5 0361001110 | DOWEL PIN, MANIFOLD | STEEL | 2 |
| P11 | A3355 | BOLT | STEEL | 4 |
| P25 | A3356 | DRAIN PLUG | FP | 1 |
| P26 | A3343 | GASKET | NBR | 1 |
| P29 | A3260 | OIL DIPSTICK ASSEMBLY | FP | 1 |
| P31 | A3305 | O-RING, DIPSTICK | NBR | 1 |
| P37 | A3055 | WATER SLINGER | NBR/FP | 3 |
| P40 | 0256302400 | OIL SEAL | NBR | 3 |
| P50 | A3357 | CRANKSHAFT | STEEL | 1 |
| P51 | A3049 | BEARING | STEEL | 1 |
| P53 | A3275 | OIL SEAL, SHAFT | NBR | 1 |
| P54 | A3276 | OIL SEAL, BEARING | NBR | 1 |
| P56 | A3271 | CON-ROD ASSEMBLY | ALUM/STEEL | 3 |
| P61 | A3056 | ROD | STAINLESS | 3 |
| P63 | 0259024850 | SPACER | BRASS | 3 |
| P64 | A3264 | GASKET | COPPER | 3 |
| P65 | A3047 | PIN, PLUNGER | STEEL | 3 |
| P66 | 9120R05060 | BOLT, PLUNGER | STAINLESS | 3 |
| P70 | A3287 | COVER, BEARING | PLATED STEEL | 1 |
| P71 | A3359 | BEARING, ROLLER | STEEL | 1 |
| P71 | 02755044201 | COVER, BEARING | ALUMINUM | 1 |
| P73 | A3100 | O-RING, COVER | NBR | 1 |

* Material listed may be a proprietary version. Parts names without part numbers are only available within complete assemblies.

* Material codes: FP=Flouropolymer, NBR=Medium Nitrile (Buna-N), STAINLESS=Stainless Steel (300 Series)

Exploded View

Model 521



3/07

| REF. # | PART NUMBER | PART NAME | MATERIAL | QTY |
|--------------------------------|-------------|---|---------------|-----|
| | A1018 | SEAL KIT, (INCLUDES F07, F08, F09, F25) | NBR | 1 |
| | A1002 | VALVE KIT, INLET (F40, F42) | STAINLESS/NBR | 1 |
| | A8037 | OIL, BOTTLE, 32oz., ISO 100 | | 1 |
| | A3162 | BRACKET KIT, FLOATING | COATED STEEL | 1 |
| Recommended Accessories | | | | |
| | A7005 | REGULATOR, 5 gpm, 1200 PSI | BRASS | 1 |

Horsepower Requirements

| | Pressure (psi) | | | | | | | |
|------------|----------------|-----|------|------|------|------|------|------|
| | RPM | GPM | LPM | 1000 | 1200 | 1500 | 2000 | 2500 |
| 521 | 600 | 1.3 | 5.1 | 0.9 | 1.1 | 1.3 | 1.8 | 2.2 |
| | 1200 | 2.7 | 10.1 | 1.8 | 2.1 | 2.7 | 3.6 | 4.5 |
| | 1800 | 4.0 | 15.2 | 2.7 | 3.2 | 4.0 | 5.4 | |