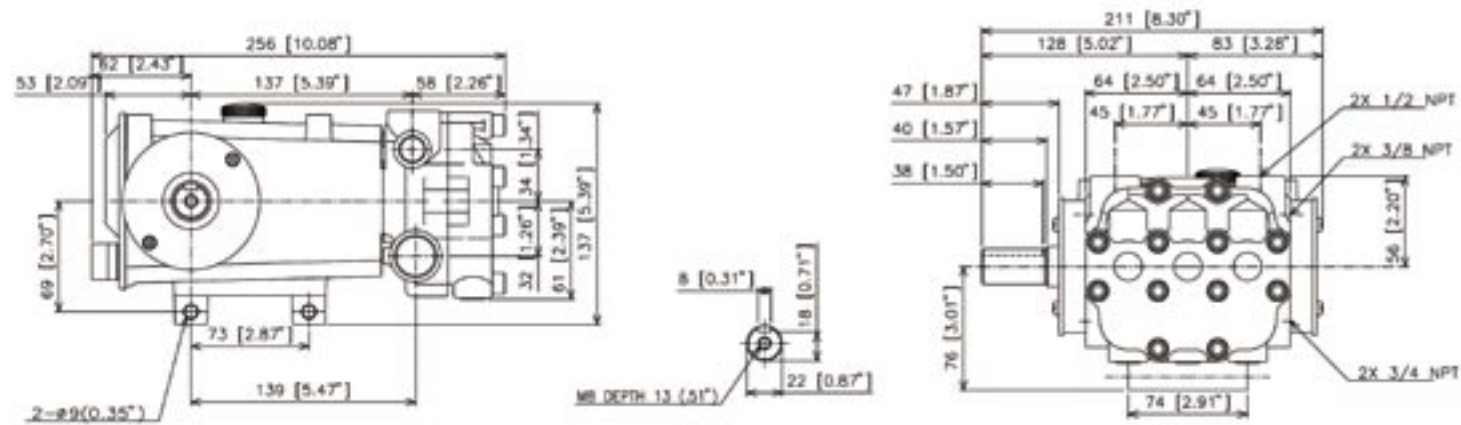
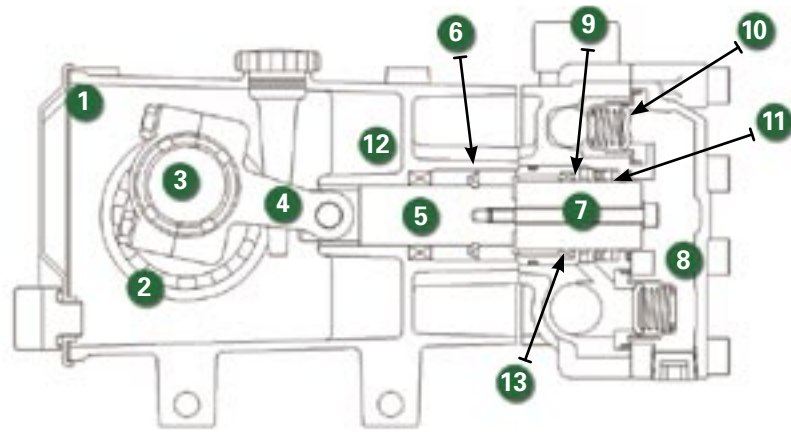


## DIMENSIONS (mm/in.)



## CUTAWAY

- 1 High strength, lightweight die cast crankcase
- 2 Oversized crankshaft bearings for long life and quiet operation
- 3 Forged crankshaft is machined for low friction, quiet operation and high efficiency
- 4 High strength connecting rods are tolerance matched for extended life and low friction operation
- 5 High polish stainless steel plunger rods for smooth operation and even wear
- 6 Zero clearance, polymer exclusionary seal protects pump crankcase from fluid entry and will not corrode
- 7 Proprietary blend, solid ceramic plungers for long wear and increased thermal shock resistance
- 8 Forged brass manifolds for strength and corrosion resistance, machined to optimize fluid flow and performance while extending useful life
- 9 Liquid-cooled, low drag seals provide long life, extended run-dry ability and increased suction lift
- 10 100% stainless steel valve construction provides superior protection against chemical and temperature damage
- 11 Mechanically-loaded seals require no adjustment and self-compensate for wear
- 12 Balanced flow crankcase ensures lubrication and quiet operation
- 13 Slide-in seal cases mean no special tools are required, making seal replacement easy



## 5 Series Model 511

## FEATURES

- Triplex pumps provide smooth liquid flow
- Liquid cooled, low drag seals provide long life, improved suction, higher efficiency and longer dry running without damage
- Balanced flow crankcase design and precision machining ensures uniform lubrication and quiet operation
- Manifold is designed and machined to guarantee superior fluid flow
- Zero-clearance exclusionary seals protect crankcase

## QUALITY

- 100% stainless steel valve assemblies deliver greater temperature and chemical handling abilities
- Precision ground ceramic plungers utilize a proprietary material blend for long life and increased thermal shock resistance
- Forged brass manifolds offer strength and corrosion resistance
- Proprietary, proven seal blend maximizes life and increases maintenance intervals
- Oversized crankshaft bearings for long life and quiet operation

## MAINTENANCE

- No special tools required for repair or maintenance
- Fluid end is easily serviced without entering crankcase
- Easy access seal case and valve assemblies
- Seals require no adjustment

## SPECIFICATIONS

| Model 511        | US           | METRIC      |
|------------------|--------------|-------------|
| Flow             | 6.5 gpm      | 26 lpm      |
| Pressure         | 1500 psi     | 105 bar     |
| RPM              | 1000         | 1000        |
| Inlet Pressure   | -5 to 70 psi | 0-5 bar     |
| Inlet            | 3/4"         | 3/4"        |
| Outlet           | 1/2" & 3/8"  | 1/2" & 3/8" |
| Oil requirement  | 19 oz.       | .55 L       |
| Shaft Dia.       | .866"        | 22 mm       |
| Max Liquid Temp. | 175°F        | 80°C        |
| Shaft Location   | L or R       | L or R      |
| Weight           | 21 lbs.      | 9.5 kg      |

$$\frac{\text{Determining Pump RPM}}{\text{Rated RPM}} = \frac{\text{Rated GPM}}{\text{"Desired" GPM}}$$

$$\frac{\text{Determining Required HP}}{1460} = \frac{\text{GPM x PSI}}{\text{Electric Brake H.P. Required}}$$

$$\frac{\text{Determining Motor Pulley Size}}{\text{Pump RPM}} = \frac{\text{Motor Pulley OD}}{\text{Pump Pulley OD}}$$

## Parts List

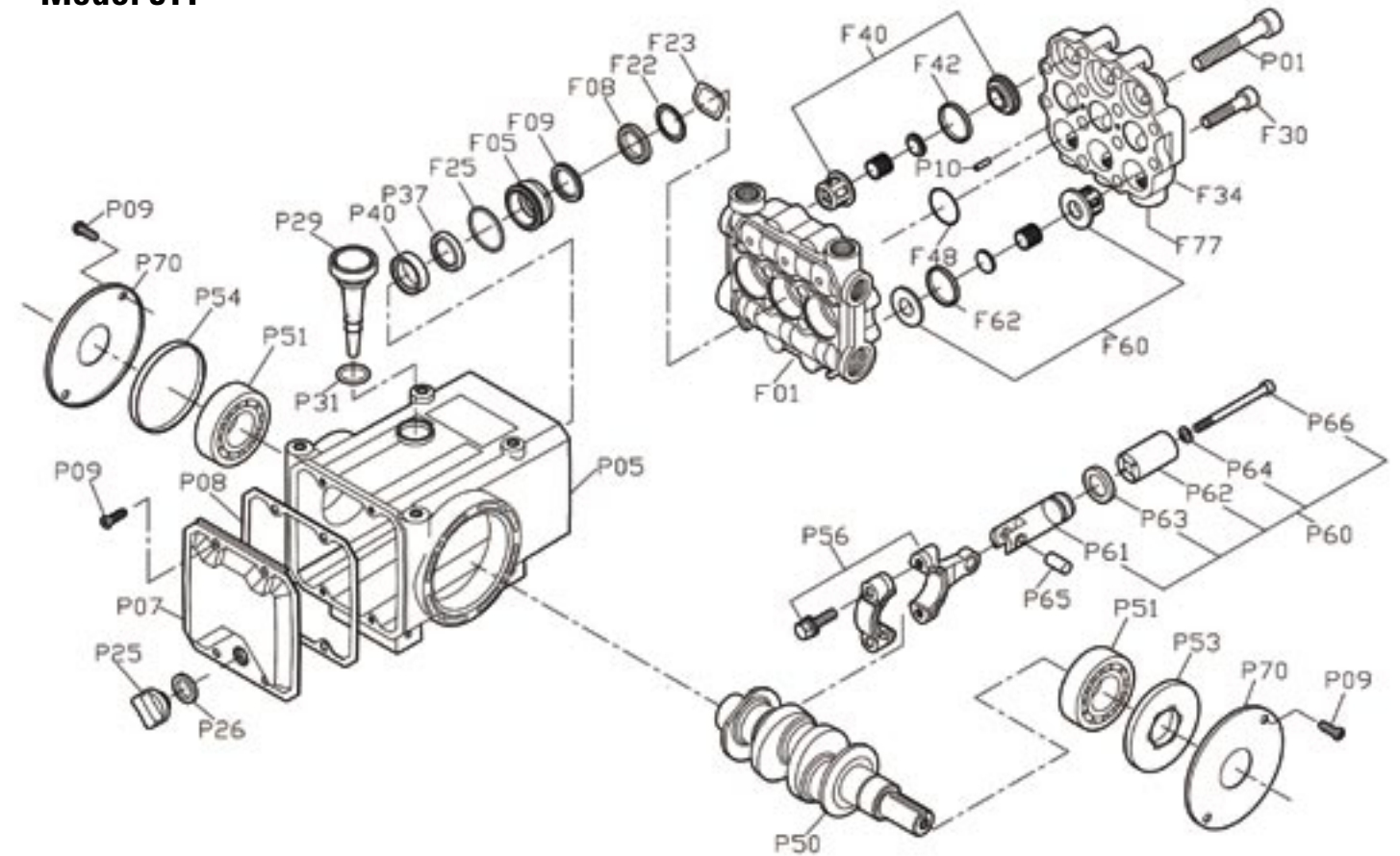
| REF. # | PART NUMBER | PART NAME              | MATERIAL     | QTY |
|--------|-------------|------------------------|--------------|-----|
| F01    | 0257201010  | MANIFOLD               | BRASS        | 1   |
| F05    | A3050       | SEAL RETAINER          | BRASS        | 3   |
| F08    | A3163       | V-PACKING              | NBR/TEXTILE  | 3   |
| F09    | A3147       | VACUUM SEAL            | NBR          | 3   |
| F22    | A3256       | SPREADER               | BRASS        | 3   |
| F23    | A3244       | WAVE WASHER            | STAINLESS    | 3   |
| F25    | 9203B15032  | O-RING, RETAINER       | NBR          | 3   |
| F30    | A3236       | BOLT, MANIFOLD         | PLATED STEEL | 8   |
| F34    | 0257103200  | MANIFOLD, VALVES       | BRASS        | 1   |
| F40    | A3148       | VALVE ASSEMBLY, OUTLET | STAINLESS    | 3   |
| F42    | A3146       | GASKET                 | NBR          | 3   |
| F48    | A3224       | O-RING, MANIFOLD       | NBR          | 3   |
| F60    | 03620038002 | VALVE ASSEMBLY, INLET  | STAINLESS    | 3   |
| F62    | A3222       | GASKET                 | NBR          | 3   |
| F77    | A3351       | PLUG, MANIFOLD         | BRASS        | 3   |
| P01    | A3227       | BOLT, HEAD             | PLATED STEEL | 4   |
| P05    | A3361       | CRANKCASE              | ALUMINUM     | 1   |
| P07    | A3353       | BACK COVER             | PLATED STEEL | 1   |
| P08    | A3048       | GASKET                 | BONDED PAPER | 1   |
| P09    | 9136B05010  | SCREW, PHILLIPS        | PLATED STEEL | 8   |
| P10    | A3354       | DOWEL PIN, MANIFOLD    | STEEL        | 2   |
| P25    | A3356       | DRAIN PLUG             | FP           | 1   |
| P26    | A3343       | GASKET                 | NBR          | 1   |
| P29    | A3260       | OIL DIPSTICK ASSEMBLY  | FP           | 1   |
| P31    | A3305       | O-RING, DIPSTICK       | NBR          | 1   |
| P37    | A3055       | WATER SLINGER          | NBR/FP       | 3   |
| P40    | 0256302400  | OIL SEAL               | NBR          | 3   |
| P50    | A3390       | CRANKSHAFT             | STEEL        | 1   |
| P51    | A3049       | BEARING                | STEEL        | 2   |
| P53    | A3275       | COVER                  | NBR          | 1   |
| P54    | A3276       | COVER                  | NBR          | 1   |
| P56    | A3271       | CON-ROD ASSEMBLY       | ALUM/STEEL   | 3   |
| P60    | 02771047S0  | PLUNGER ASSEMBLY       |              | 3   |
| P61    | A3056       | ROD                    | STAINLESS    | 3   |
| P62    | A3080       | PLUNGER                | CERAMIC      | 3   |
| P63    | 0257004850  | SPACER                 | BRASS        | 3   |
| P64    | A3264       | GASKET                 | COPPER       | 3   |
| P66    | A3358       | BOLT                   | STAINLESS    | 3   |
| P65    | A3047       | PIN, PLUNGER           | STAINLESS    | 3   |
| P70    | A3287       | COVER, BEARING         | PLATED STEEL | 2   |

\* Material listed may be a proprietary version. Parts names without part numbers are only available within complete assemblies.

\* Material codes: FP=Flouropolymer, NBR=Medium Nitrile (Buna-N), STAINLESS=Stainless Steel (300 Series)

## Exploded View

### Model 511



12/05

| REF. #                  | PART NUMBER | PART NAME                         | MATERIAL         | QTY |
|-------------------------|-------------|-----------------------------------|------------------|-----|
|                         | A3003       | RAIL, 5 SERIES                    | PLATED STEEL     | 2   |
|                         | A8037       | OIL, BOTTLE, 32oz., ISO 100       |                  | 1   |
|                         | A1009       | VALVE KIT, INLET (F60, F62)       | STAINLESS/NBR    | 1   |
|                         | A1010       | VALVE KIT, OUTLET (F40, F42)      | STAINLESS/NBR    | 1   |
|                         | A1014       | SEAL KIT 511, (F08, F09, F25)     | NBR              | 1   |
| Recommended Accessories |             |                                   |                  |     |
|                         | 70100       | 6085 REGULATOR, 15 GPM, 1200 PSI  | BRONZE/CERAMIC   | 1   |
|                         | 70102       | 60105 REGULATOR, 15 GPM, 1500 PSI | BRONZE/STAINLESS | 1   |

### Horsepower Requirements

|            | Pressure (psi) |     |      |      |      |      |      |      |
|------------|----------------|-----|------|------|------|------|------|------|
|            | RPM            | GPM | LPM  | 1000 | 1100 | 1250 | 1500 | 1600 |
| <b>511</b> | 850            | 5.4 | 21.4 | 3.7  | 4.1  | 4.6  | 5.5  | 5.9  |
|            | 950            | 6.0 | 23.9 | 4.1  | 4.5  | 5.1  | 6.2  | 6.6  |
|            | 1000           | 6.5 | 25.7 | 4.4  | 4.9  | 5.5  | 6.6  |      |