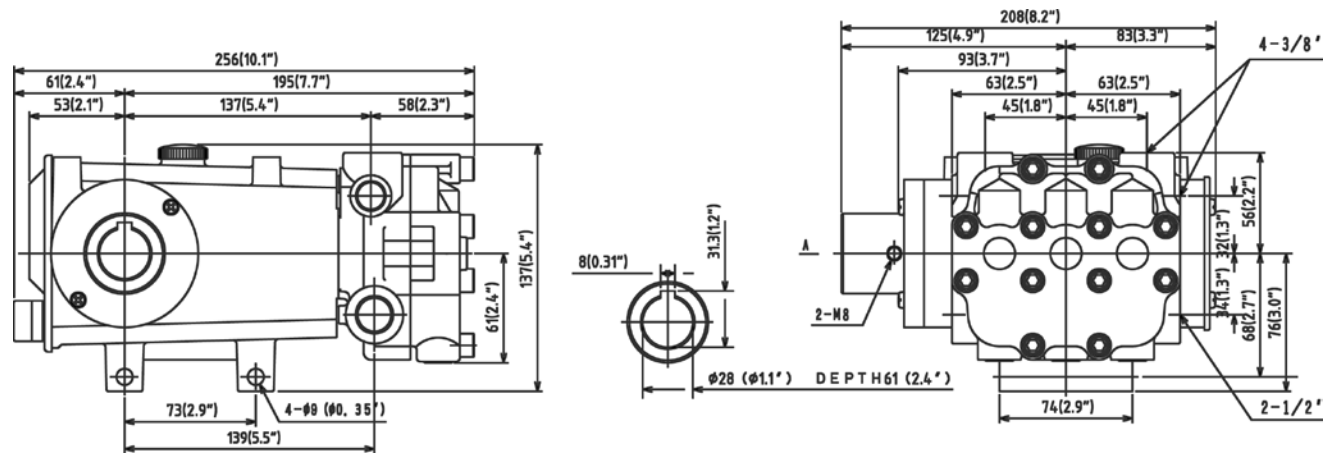
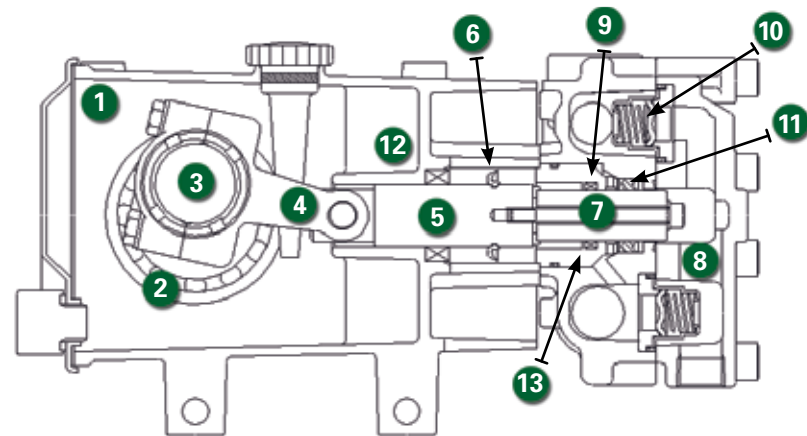


## DIMENSIONS (mm/in.)



## CUTAWAY

- 1 High strength, lightweight die cast crankcase
- 2 Oversized crankshaft bearings for long life and quiet operation
- 3 Forged crankshaft is machined for low friction, quiet operation and high efficiency
- 4 High strength connecting rods are tolerance matched for extended life and low friction operation
- 5 High polish stainless steel plunger rods for smooth operation and even wear
- 6 Zero clearance, polymer exclusionary seal protects pump crankcase from fluid entry and will not corrode
- 7 Proprietary blend, solid ceramic plungers for long wear and increased thermal shock resistance
- 8 Forged brass manifolds for strength and corrosion resistance, machined to optimize fluid flow and performance while extending useful life
- 9 Liquid-cooled, low drag seals provide long life, extended run-dry ability and increased suction lift
- 10 100% stainless steel valve construction provides superior protection against chemical and temperature damage
- 11 Mechanically-loaded seals require no adjustment and self-compensate for wear
- 12 Balanced flow crankcase ensures lubrication and quiet operation
- 13 Slide-in seal cases mean no special tools are required, making seal replacement easy



Arimitsu of North America, Inc.  
 700 McKinley St.  
 Anoka, MN 55303  
 ph: 612.219.7522  
 fax: 763.433.0404  
 www.arimitsupumps.com

Manufactured by Arimitsu Industry Co., Ltd., of Osaka, Japan, a leading supplier of industrial plunger pumps and systems used by industrial leaders throughout the World.



Rev.2, 5H Series, 521, (12-22)



## Floating 5 Series Model 521

## FEATURES

- Unique mounting technology increases life and decreases noise (pat. pending)
- Triplex pumps provide smooth liquid flow
- Liquid cooled, low drag seals provide long life, improved suction, higher efficiency and longer dry running without damage
- Balanced flow crankcase design and precision machining ensures uniform lubrication and quiet operation
- Manifold is designed and machined to guarantee superior fluid flow
- Zero-clearance exclusionary seals protect crankcase

## QUALITY

- 100% stainless steel valve assemblies deliver greater temperature and chemical handling abilities
- Precision ground ceramic plungers utilize a proprietary material blend for long life and increased thermal shock resistance
- Forged brass manifolds offer strength and corrosion resistance
- Proprietary, proven seal blend maximizes life and increases maintenance intervals
- Oversized crankshaft bearings for long life and quiet operation

## MAINTENANCE

- No special tools required for repair or maintenance
- Fluid end is easily serviced without entering crankcase
- Easy access seal case and valve assemblies
- Seals require no adjustment

## SPECIFICATIONS

Model 521	US	METRIC
Flow	4 gpm	15 lpm
Pressure	2500 psi	170 bar
RPM	1800	1800
Inlet Pressure	flooded to 70 psi	1 to 5 bar
Inlet	1/2" NPT	1/2" NPT
Outlet	3/8" NPT	3/8" NPT
Oil requirement	21 oz.	.61 L
Shaft Dia.	1.102"	28 mm
Max Liquid Temp.	170°F	85°C
Shaft Location	L or R	L or R
Weight	21 lbs.	9.5 kg

Determining Pump RPM	Rated GPM	=	"Desired" GPM
	Rated RPM	=	"Desired" RPM
Determining Required HP	GPM x PSI	=	Electric Brake H.P. Required
	1460	=	
Determining Motor Pulley Size	Motor Pulley OD	=	Pump Pulley OD
	Pump RPM	=	Motor RPM

## Parts List

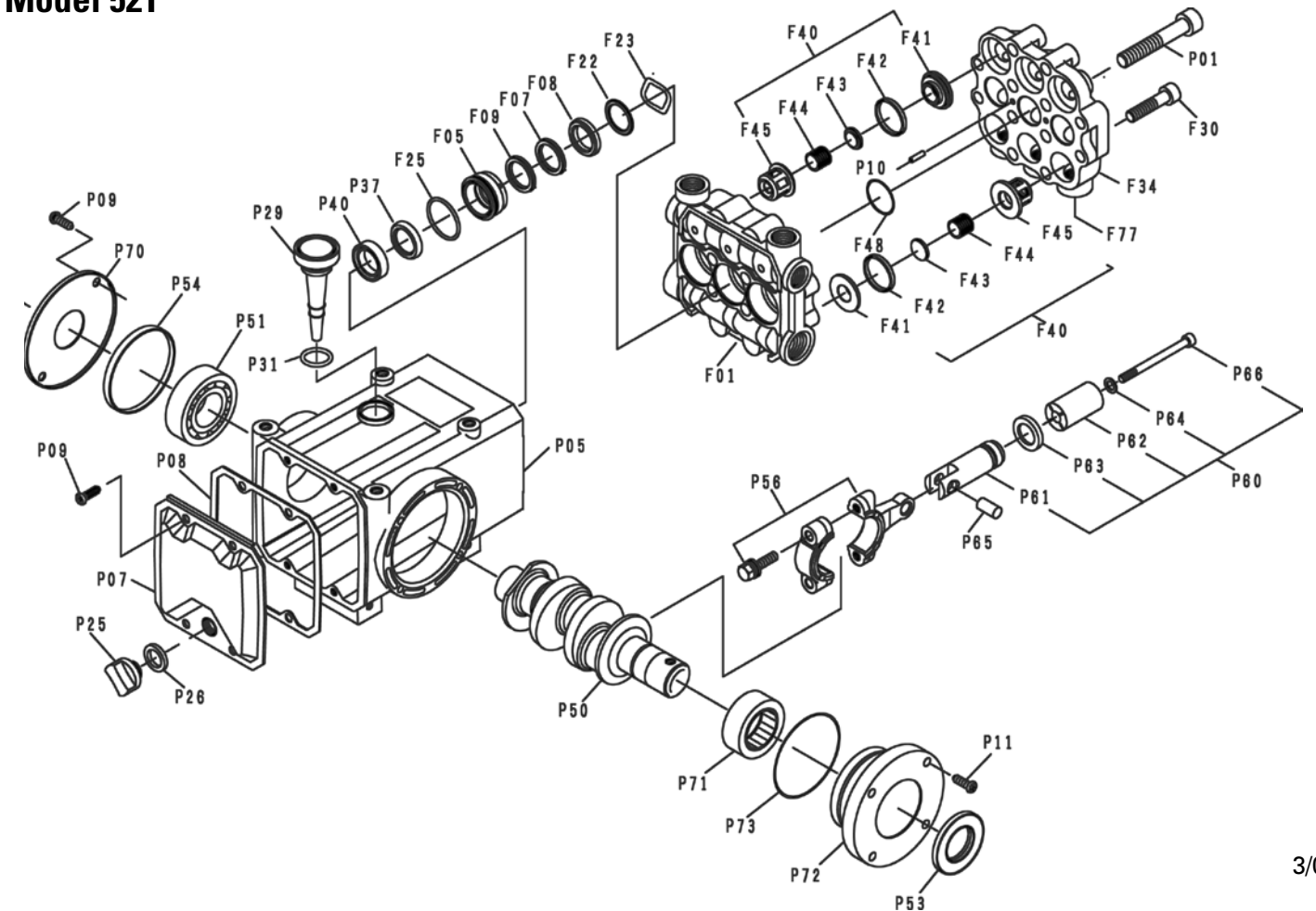
REF. #	PART NUMBER	PART NAME	MATERIAL	QTY
F01	0259001010	MANIFOLD, PORTED	BRASS	1
F05	A3052	SEAL RETAINER	BRASS	3
F07	A3246	BACKING RING	FP	3
F08	A3248	V-PACKING	NBR/TEXTILE	3
F09	A3245	VACUUM SEAL	NBR	3
F22	A3278	SPREADER	BRASS	3
F23	A3279	WAVE WASHER	STAINLESS	3
F25	9203B15032	O-RING, RETAINER	NBR	3
F30	A3236	BOLT, MANIFOLD	PLATED STEEL	8
F34	0259003200	MANIFOLD, VALVES	BRASS	1
F40	A3177	VALVE ASSEMBLY	STAINLESS	6
F42	A3146	GASKET	NBR	3
F48	A3137	O-RING, MANIFOLD	NBR	3
F77	0180503450	PLUG, MANIFOLD	BRASS	3
P01	A3227	BOLT, HEAD	PLATED STEEL	4
P05	A3352	CRANKCASE	ALUMINUM	1
P07	A3353	COVER	PLATED STEEL	1
P08	A3048	GASKET	BONDED PAPER	1
P09	9138A05051	SCREW	PLATED STEEL	6
P10	5 0361001110	DOWEL PIN, MANIFOLD	STEEL	2
P11	A3355	BOLT	STEEL	4
P25	A3356	DRAIN PLUG	FP	1
P26	A3343	GASKET	NBR	1
P29	01300026000A	OIL DIPSTICK ASSEMBLY	FP	1
P31	A3305	O-RING, DIPSTICK	NBR	1
P37	A3055	WATER SLINGER	NBR/FP	3
P40	0256302400	OIL SEAL	NBR	3
P50	A3357	CRANKSHAFT	STEEL	1
P51	A3049	BEARING	STEEL	1
P53	A3275	OIL SEAL, SHAFT	NBR	1
P54	A3276	OIL SEAL, BEARING	NBR	1
P56	A3271	CON-ROD ASSEMBLY	ALUM/STEEL	3
P61	A3056	ROD	STAINLESS	3
P63	0259024850	SPACER	BRASS	3
P64	A3264	GASKET	COPPER	3
P65	A3047	PIN, PLUNGER	STEEL	3
P66	9120R05060	BOLT, PLUNGER	STAINLESS	3
P70	A3287	COVER, BEARING	PLATED STEEL	1
P71	A3359	BEARING, ROLLER	STEEL	1
P71	02755044201	COVER, BEARING	ALUMINUM	1
P73	A3100	O-RING, COVER	NBR	1

\* Material listed may be a proprietary version. Parts names without part numbers are only available within complete assemblies.

\* Material codes: FP=Flouropolymer, NBR=Medium Nitrile (Buna-N), STAINLESS=Stainless Steel (300 Series)

## Exploded View

### Model 521



3/07

REF. #	PART NUMBER	PART NAME	MATERIAL	QTY
	A1018	SEAL KIT, (INCLUDES F07, F08, F09, F25)	NBR	1
	A1002	VALVE KIT, INLET (F40, F42)	STAINLESS/NBR	1
	A8037	OIL, BOTTLE, 32oz., ISO 100		1
	A3162	BRACKET KIT, FLOATING	COATED STEEL	1
Recommended Accessories				
	A7005	REGULATOR, 5 gpm, 1200 PSI	BRASS	1

### Horsepower Requirements

	Pressure (psi)							
	RPM	GPM	LPM	1000	1200	1500	2000	2500
<b>521</b>	600	1.3	5.1	0.9	1.1	1.3	1.8	2.2
	1200	2.7	10.1	1.8	2.1	2.7	3.6	4.5
	1800	4.0	15.2	2.7	3.2	4.0	5.4	