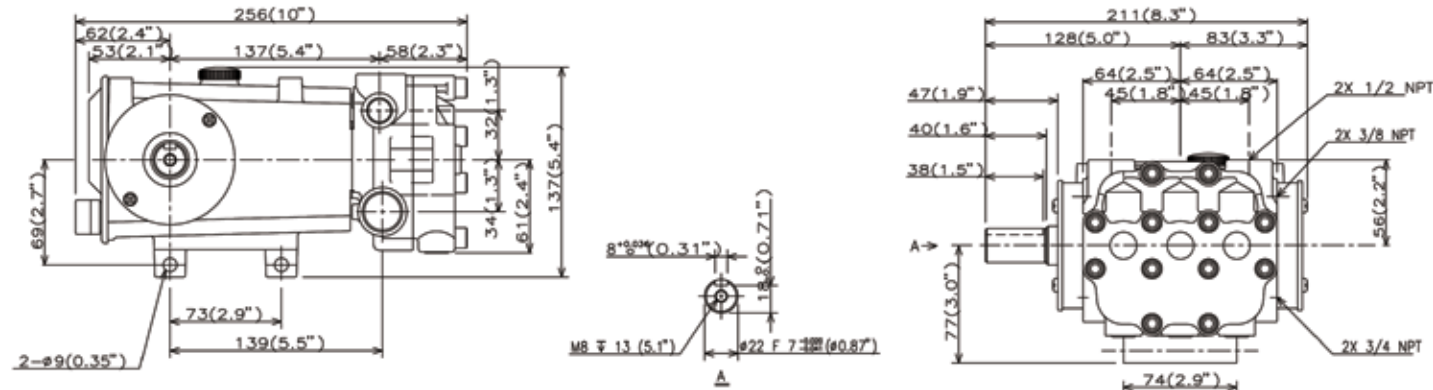
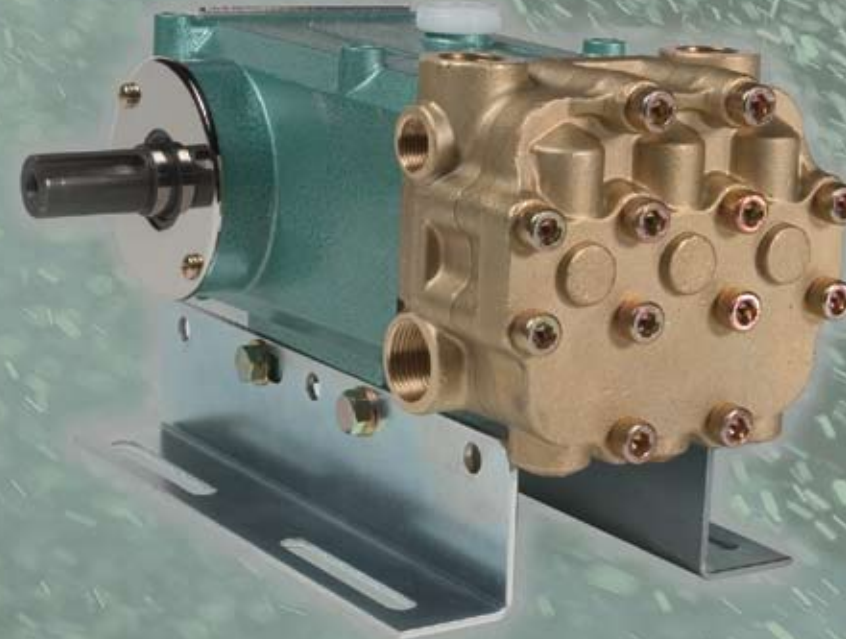
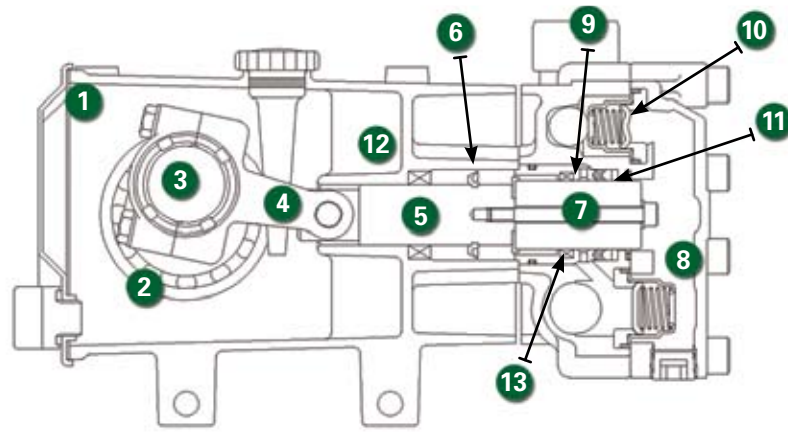


DIMENSIONS (mm/in.)



CUTAWAY

- 1 High strength, lightweight die cast crankcase
- 2 Oversized crankshaft bearings for long life and quiet operation
- 3 Forged crankshaft is machined for low friction, quiet operation and high efficiency
- 4 High strength connecting rods are tolerance matched for extended life and low friction operation
- 5 High polish stainless steel plunger rods for smooth operation and even wear
- 6 Zero clearance, polymer exclusionary seal protects pump crankcase from fluid entry and will not corrode
- 7 Proprietary blend, solid ceramic plungers for long wear and increased thermal shock resistance
- 8 Forged brass manifolds for strength and corrosion resistance, machined to optimize fluid flow and performance while extending useful life
- 9 Liquid-cooled, low drag seals provide long life, extended run-dry ability and increased suction lift
- 10 100% stainless steel valve construction provides superior protection against chemical and temperature damage
- 11 Mechanically-loaded seals require no adjustment and self-compensate for wear
- 12 Balanced flow crankcase ensures lubrication and quiet operation
- 13 Slide-in seal cases mean no special tools are required, making seal replacement easy



5 Series

Model 508

FEATURES

- Triplex pumps provide smooth liquid flow
- Liquid cooled, low drag seals provide long life, improved suction, higher efficiency and longer dry running without damage
- Balanced flow crankcase design and precision machining ensures uniform lubrication and quiet operation
- Manifold is designed and machined to guarantee superior fluid flow
- Zero-clearance exclusionary seals protect crankcase

QUALITY

- 100% stainless steel valve assemblies deliver greater temperature and chemical handling abilities
- Precision ground ceramic plungers utilize a proprietary material blend for long life and increased thermal shock resistance
- Forged brass manifolds offer strength and corrosion resistance
- Proprietary, proven seal blend maximizes life and increases maintenance intervals
- Oversized crankshaft bearings for long life and quiet operation

MAINTENANCE

- No special tools required for repair or maintenance
- Fluid end is easily serviced without entering crankcase
- Easy access seal case and valve assemblies
- Seals require no adjustment

SPECIFICATIONS

Model 508	US	METRIC
Flow	8 gpm	30 lpm
Pressure	1200 psi	85 bar
RPM	950	950
Inlet Pressure	-5 to 70 psi	1 to 5 bar
Alternative specification		
Flow	10 gpm	38 lpm
Pressure	1000 psi	70 bar
RPM	1200	1200
Inlet Pressure	Flooded to 70 psi	0 to 5 bar
Inlet	3/4"	3/4"
Outlet	1/2" & 3/8"	1/2" & 3/8"
Oil requirement	19 oz.	.55 L
Shaft Dia.	.866"	22 mm
Max Liquid Temp.	175°F	80°C
Shaft Location	L or R	L or R
Weight	21 lbs.	9.5 kg

Determining Pump RPM	Rated GPM	=	"Desired" GPM
	Rated RPM	=	"Desired" RPM
Determining Required HP	GPM x PSI	=	Electric Brake H.P. Required
	1460	=	
Determining Motor Pulley Size	Motor Pulley OD	=	Pump Pulley OD
	Pump RPM	=	Motor RPM

Parts List

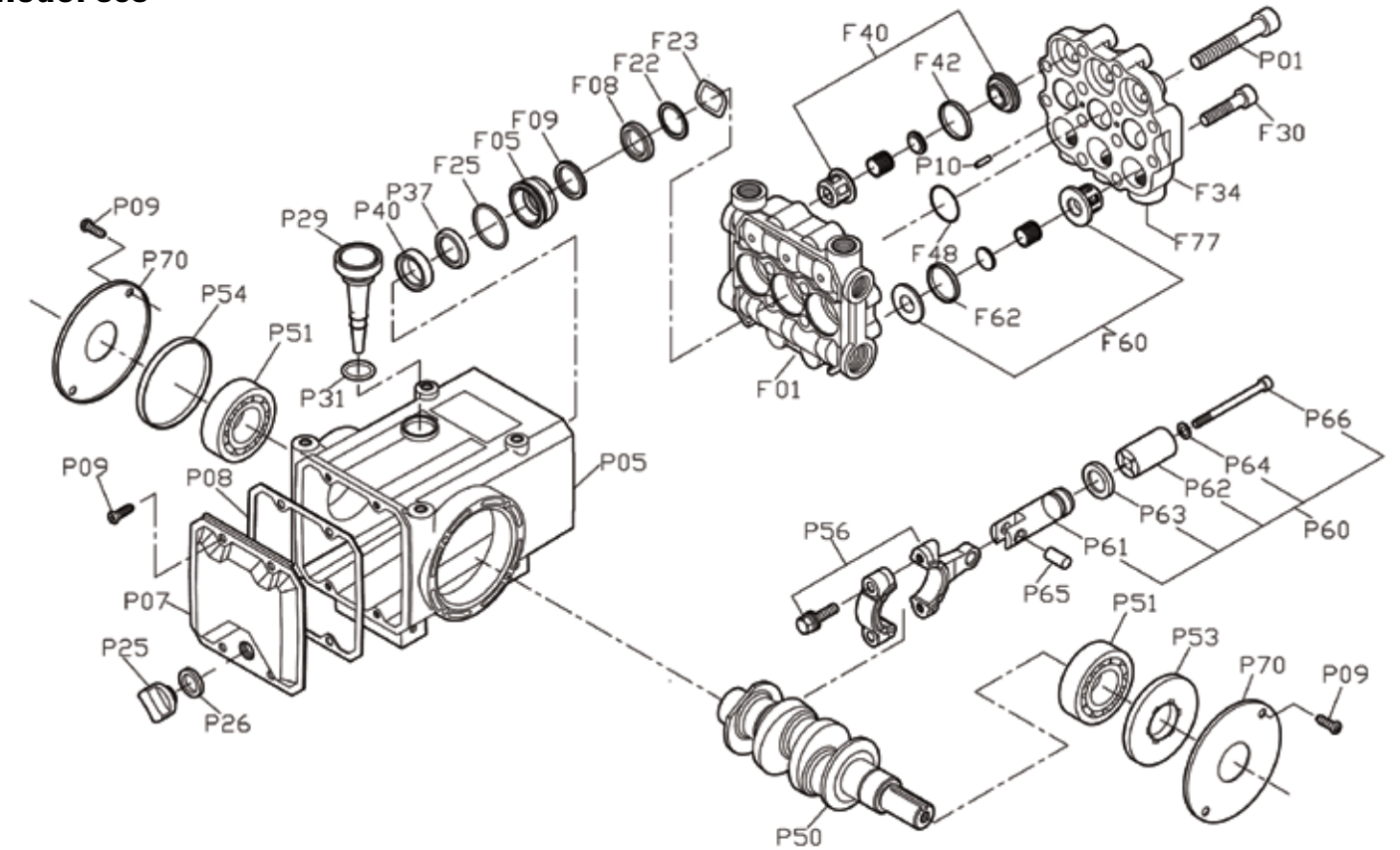
REF. #	PART NUMBER	PART NAME	MATERIAL	QTY
F01	A3387	MANIFOLD, PORTED	BRASS	1
F05	A3232	SEAL RETAINER	BRASS	3
F08	A3388	V-PACKING	NBR/TEXTILE	3
F09	A3304	VACUUM SEAL	NBR	3
F22	A3234	SPREADER	BRASS	3
F23	A3233	WAVE WASHER	STAINLESS	3
F25	9203B15032	O-RING, RETAINER	NBR	3
F30	A3236	BOLT, MANIFOLD	PLATED STEEL	8
F34	A3389	MANIFOLD, VALVES	BRASS	1
F40	A3148	VALVE ASSEMBLY, OUTLET	STAINLESS	3
F42	A3146	GASKET	NBR	3
F48	A3225	O-RING, MANIFOLD	NBR	3
F60	03620038002	VALVE ASSEMBLY, INLET	STAINLESS	3
F62	A3222	GASKET	NBR	3
F77	A3351	PLUG, MANIFOLD	BRASS	3
P01	A3227	BOLT, HEAD	PLATED STEEL	4
P05	A3361	CRANKCASE	ALUMINUM	1
P07	A3353	BACK COVER	ALUMINUM	1
P08	A3048	GASKET	BONDED PAPER	1
P09	9136A05010	SCREW, PHILLIPS	PLATED STEEL	8
P10	A3354	DOWEL PIN, MANIFOLD	STEEL	2
P25	A3356	DRAIN PLUG	FP	1
P26	A3343	GASKET	NBR	1
P29	01300026000A	OIL DIPSTICK ASSEMBLY	FP	1
P31	A3305	O-RING, DIPSTICK	NBR	1
P37	A3055	WATER SLINGER	NBR/FP	3
P40	0256302400	OIL SEAL	NBR	3
P50	A3390	CRANKSHAFT	STEEL	1
P51	A3049	BEARING	STEEL	2
P53	A3275	OIL SEAL, SHAFT	NBR	1
P54	A3276	OIL SEAL, BEARING	NBR	1
P56	A3271	CON-ROD ASSEMBLY	ALUM/STEEL	3
P60	02761047S01	PLUNGER ASSEMBLY		3
P61	A3056	ROD	STAINLESS	3
P62	A3079	PLUNGER	CERAMIC	3
P63	A3223	SPACER	BRASS	3
P64	A3264	GASKET	COPPER	3
P65	A3047	PIN, PLUNGER	STEEL	3
P66	A3358	BOLT	STAINLESS	3
P70	A3287	COVER, BEARING	PLATED STEEL	1

* Material listed may be a proprietary version. Parts names without part numbers are only available within complete assemblies.

* Material codes: FP=Flouropolymer, NBR=Medium Nitrile (Buna-N), STAINLESS=Stainless Steel (300 Series)

Exploded View

Model 508



09/05

REF. #	PART NUMBER	PART NAME	MATERIAL	QTY
	A3003	RAIL, 5 SERIES	PLATED STEEL	2
	A8037	OIL, BOTTLE, 32oz., ISO 100		1
	A1008	SEAL KIT, 508 (F08, F09, F25)	NBR	1
	A1009	VALVE KIT, INLET (F60, F62)	STAINLESS/NBR	1
	A1010	VALVE KIT, OUTLET (F40, F42)	STAINLESS/NBR	1
	A1012	RAIL, SET, 508L, 7 CP REPLACEMENT	PLATED STEEL	1
Recommended Accessories				
	70100	6085 REGULATOR, 15 GPM, 1200 PSI	BRONZE/CERAMIC	1

Horsepower Requirements

	Pressure (psi)								
	RPM	GPM	LPM	800	900	1000	1100	1200	
508	950	8.0	30.3	4.4	4.9	5.5	6.0	6.6	
	1200	10.0	38.0	5.5	6.1	6.8			
	1450	12.0	45.5	6.6					