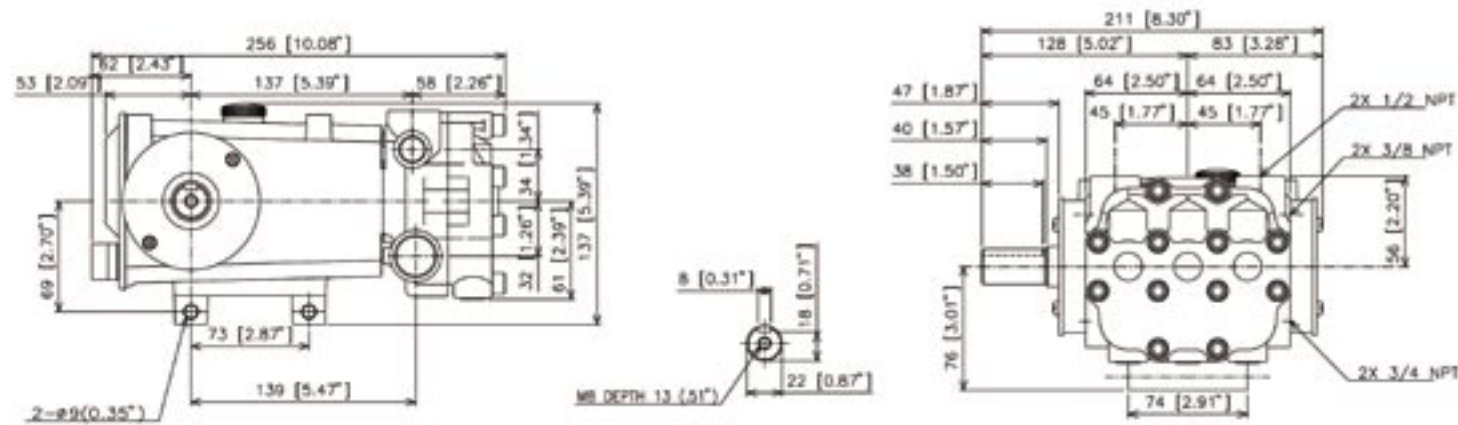
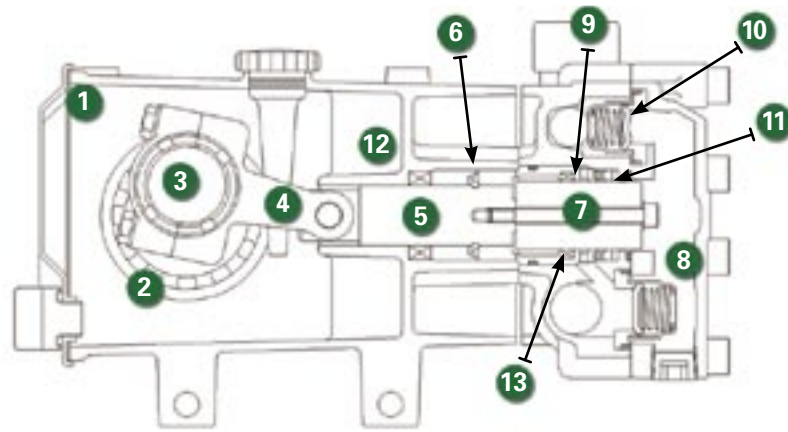


## DIMENSIONS (mm/in.)



## CUTAWAY

- 1 High strength, lightweight die cast crankcase
- 2 Oversized crankshaft bearings for long life and quiet operation
- 3 Forged crankshaft is machined for low friction, quiet operation and high efficiency
- 4 High strength connecting rods are tolerance matched for extended life and low friction operation
- 5 High polish stainless steel plunger rods for smooth operation and even wear
- 6 Zero clearance, polymer exclusionary seal protects pump crankcase from fluid entry and will not corrode
- 7 Proprietary blend, solid ceramic plungers for long wear and increased thermal shock resistance
- 8 Forged brass manifolds for strength and corrosion resistance, machined to optimize fluid flow and performance while extending useful life
- 9 Liquid-cooled, low drag seals provide long life, extended run-dry ability and increased suction lift
- 10 100% stainless steel valve construction provides superior protection against chemical and temperature damage
- 11 Mechanically-loaded seals require no adjustment and self-compensate for wear
- 12 Balanced flow crankcase ensures lubrication and quiet operation
- 13 Slide-in seal cases mean no special tools are required, making seal replacement easy



## 5 Series

### Model 511

## FEATURES

- Triplex pumps provide smooth liquid flow
- Liquid cooled, low drag seals provide long life, improved suction, higher efficiency and longer dry running without damage
- Balanced flow crankcase design and precision machining ensures uniform lubrication and quiet operation
- Manifold is designed and machined to guarantee superior fluid flow
- Zero-clearance exclusionary seals protect crankcase

## QUALITY

- 100% stainless steel valve assemblies deliver greater temperature and chemical handling abilities
- Precision ground ceramic plungers utilize a proprietary material blend for long life and increased thermal shock resistance
- Forged brass manifolds offer strength and corrosion resistance
- Proprietary, proven seal blend maximizes life and increases maintenance intervals
- Oversized crankshaft bearings for long life and quiet operation

## MAINTENANCE

- No special tools required for repair or maintenance
- Fluid end is easily serviced without entering crankcase
- Easy access seal case and valve assemblies
- Seals require no adjustment

## SPECIFICATIONS

Model 511	US	METRIC
Flow	6.5 gpm	26 lpm
Pressure	1500 psi	105 bar
RPM	1000	1000
Inlet Pressure	-5 to 70 psi	0-5 bar
Inlet	3/4"	3/4"
Outlet	1/2" & 3/8"	1/2" & 3/8"
Oil requirement	19 oz.	.55 L
Shaft Dia.	.866"	22 mm
Max Liquid Temp.	175°F	80°C
Shaft Location	L or R	L or R
Weight	21 lbs.	9.5 kg

$$\frac{\text{Determining Pump RPM}}{\text{Rated RPM}} = \frac{\text{Rated GPM}}{\text{"Desired" GPM}}$$

$$\frac{\text{Determining Required HP}}{1460} = \frac{\text{GPM} \times \text{PSI}}{\text{Electric Brake H.P. Required}}$$

$$\frac{\text{Determining Motor Pulley Size}}{\text{Pump RPM}} = \frac{\text{Motor Pulley OD}}{\text{Pump Pulley OD}}$$

## Parts List

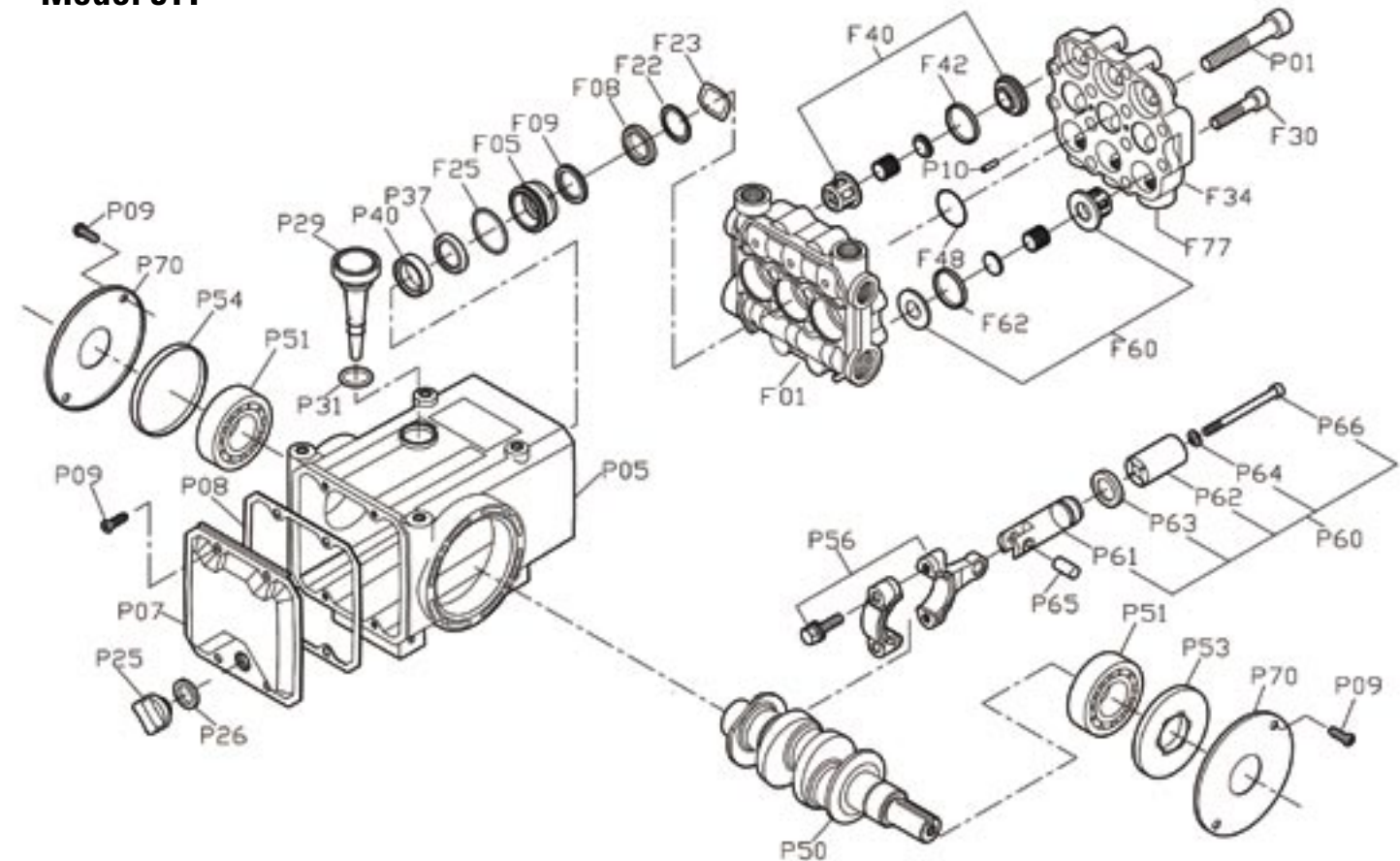
REF. #	PART NUMBER	PART NAME	MATERIAL	QTY
F01	0257201010	MANIFOLD	BRASS	1
F05	0257501200	SEAL RETAINER	BRASS	3
F08	01500014B0	V-PACKING	NBR/TEXTILE	3
F09	02570012301	VACUUM SEAL	NBR	3
F22	0130001430	SPREADER	BRASS	3
F23	0250001450	WAVE WASHER	STAINLESS	3
F25	9203B15032	O-RING, RETAINER	NBR	3
F30	0361001140	BOLT, MANIFOLD	PLATED STEEL	8
F34	0257103200	MANIFOLD, VALVES	BRASS	1
F40	03620033001	VALVE ASSEMBLY, OUTLET	STAINLESS	3
F42	0362003340	GASKET	NBR	3
F48	9203F15026	O-RING, MANIFOLD	NBR	3
F60	03620038002	VALVE ASSEMBLY, INLET	STAINLESS	3
F62	0361003340	GASKET	NBR	3
F77	0130003930	PLUG, MANIFOLD	BRASS	3
P01	02560011001	BOLT, HEAD	PLATED STEEL	4
P05	0276102010	CRANKCASE	ALUMINUM	1
P07	0256002040	BACK COVER	PLATED STEEL	1
P08	0256002050	GASKET	BONDED PAPER	1
P09	9136B05010	SCREW, PHILLIPS	PLATED STEEL	8
P10	0361001110	DOWEL PIN, MANIFOLD	STEEL	2
P25	0090002320	DRAIN PLUG	FP	1
P26	0090002340	GASKET	NBR	1
P29	01300026000A	OIL DIPSTICK ASSEMBLY	FP	1
P31	9201B20016	O-RING, DIPSTICK	NBR	1
P37	0276101730	WATER SLINGER	NBR/FP	3
P40	0256302400	OIL SEAL	NBR	3
P50	02561040102	CRANKSHAFT	STEEL	1
P51	0256004020	BEARING	STEEL	2
P53	0256004030	COVER	NBR	1
P54	0256104430	COVER	NBR	1
P56	0130004600	CON-ROD ASSEMBLY	ALUM/STEEL	3
P60	02771047S0	PLUNGER ASSEMBLY		3
P61	0276104880	ROD	STAINLESS	3
P62	02570048S0	PLUNGER	CERAMIC	3
P63	0257004850	SPACER	BRASS	3
P64	0121114852	GASKET	COPPER	3
P66	9120R05055	BOLT	STAINLESS	3
P65	0150004900	PIN, PLUNGER	STAINLESS	3
P70	02560044201	COVER, BEARING	PLATED STEEL	2

\* Material listed may be a proprietary version. Parts names without part numbers are only available within complete assemblies.

\* Material codes: FP=Flouropolymer, NBR=Medium Nitrile (Buna-N), STAINLESS=Stainless Steel (300 Series)

## Exploded View

### Model 511



12/05

REF. #	PART NUMBER	PART NAME	MATERIAL	QTY
	30102	RAIL, 5 SERIES	PLATED STEEL	2
	30103	OIL, BOTTLE, 32oz., ISO 100		1
	30111	VALVE KIT, INLET (F60, F62)	STAINLESS/NBR	1
	30112	VALVE KIT, OUTLET (F40, F42)	STAINLESS/NBR	1
	30120	SEAL KIT 511, (F08, F09, F25)	NBR	1
Recommended Accessories				
	70100	6085 REGULATOR, 15 GPM, 1200 PSI	BRONZE/CERAMIC	1
	70102	60105 REGULATOR, 15 GPM, 1500 PSI	BRONZE/STAINLESS	1

### Horsepower Requirements

	Pressure (psi)							
	RPM	GPM	LPM	1000	1100	1250	1500	1600
<b>511</b>	850	5.4	21.4	3.7	4.1	4.6	5.5	5.9
	950	6.0	23.9	4.1	4.5	5.1	6.2	6.6
	1000	6.5	25.7	4.4	4.9	5.5	6.6	